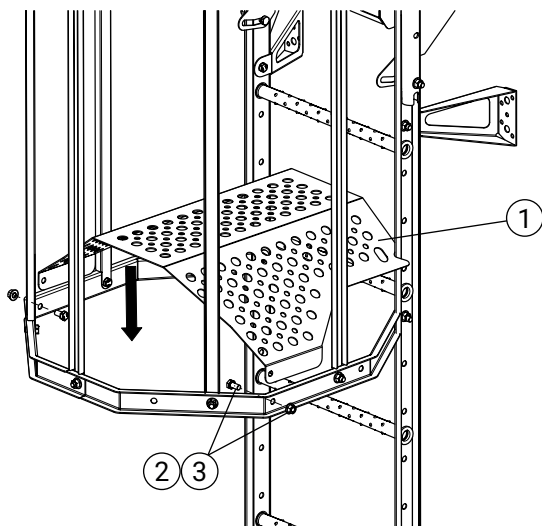
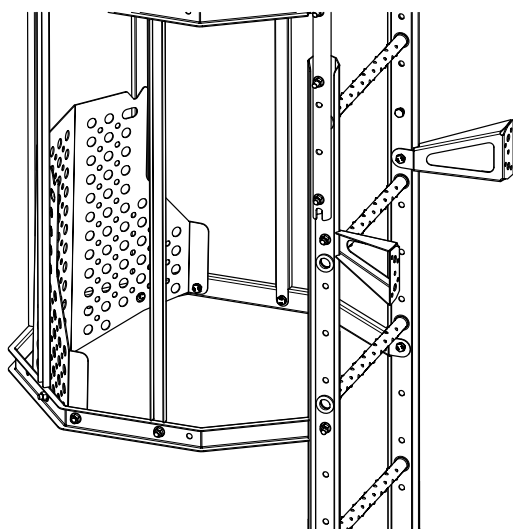


	Part	Part. no.
1	Lockable hatch	LL4570
2	Bolt M10x20	BU1201/BU1200
3	Locking nut M10	LM1000

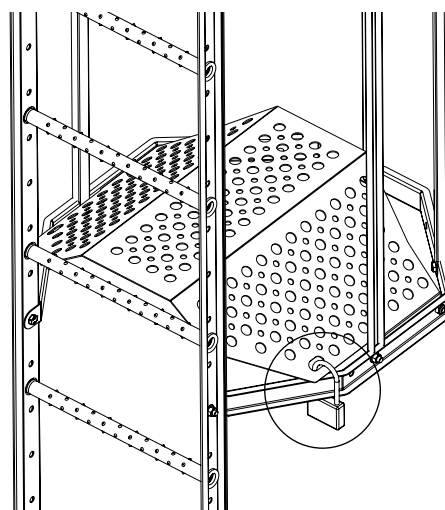


1. Lockable hatch

Fit the cover to the safety cage (1) using bolt (2) and lock nut (3).



Open cover



Closed cover

The cover can be equipped with a padlock.